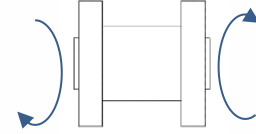




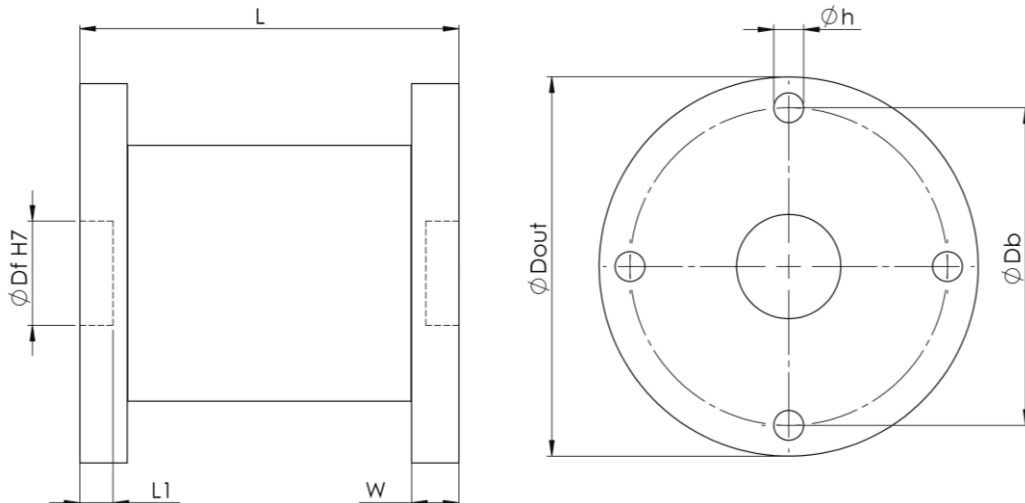
## NON-ROTARY TORQUE SENSOR

✓ Model TR-(0.1~10KNm)

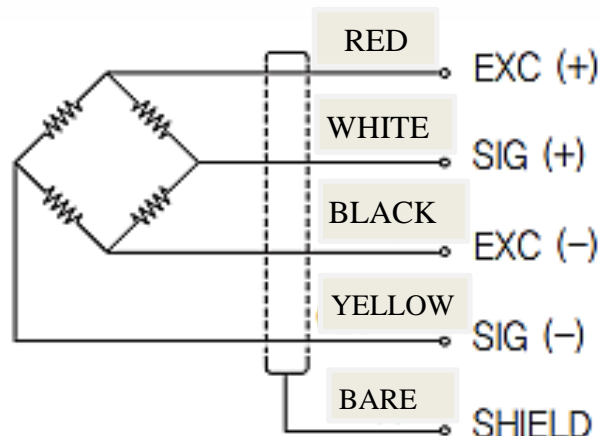


Static torque sensor for measurement of stationary torque object or within a certain angle rotation. Suitable for torque measurement of various automobile parts such as pneumatic and electric screwdriver etc. display and logger section is considered as an optional.

### Design Information



### Wiring information





Capacity (Nm)	W	L	Df	L1	D <sub>out</sub>	D <sub>b</sub>	h
50/100/250	10	80	22	7	80	67	6.3
500/1K/1.5K	10	80	22	7	90	75	9
Up to 10K	Adjustable by need						

Specification	Value
Rated capacity	Up to 10KNm
Rated output	2 mV/V
Excitation recommended	5 V
Operational Temperature	-10 ~ 60°C
Safe overload	150 % Full scale
Nonlinearity	0.1% Full scale
Hysteresis	0.43%

## Ordering Code: TR-20-A-A

A: Torque: 0-5-10 V

B: Torque: 4-12-20 mA

C: Torque: 4-12-20 mA

D: Torque and speed in PC interface (USB)

E: Torque Modbus (485)

