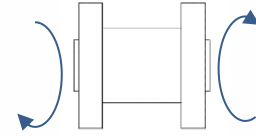




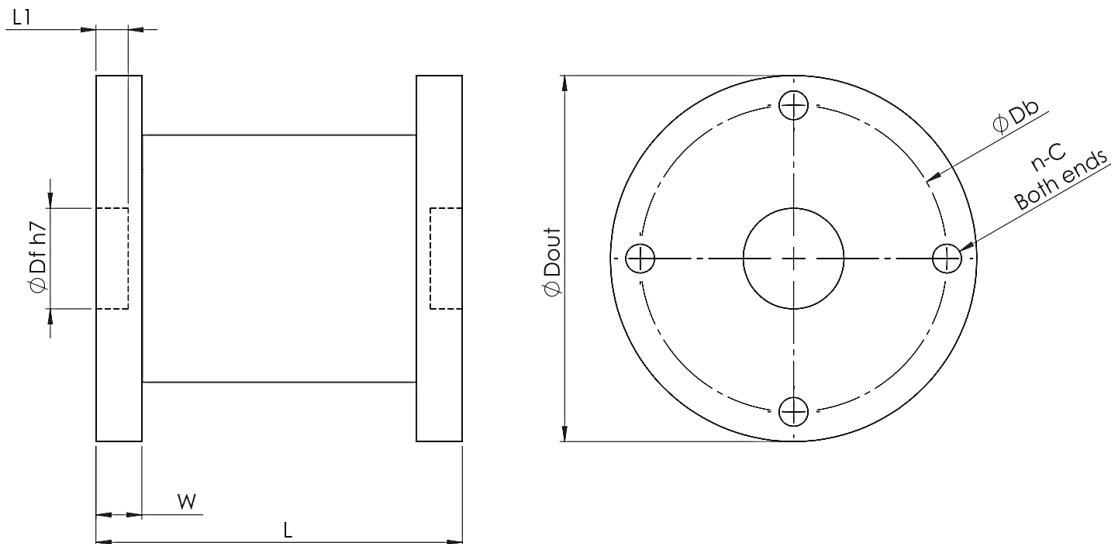
NON-ROTARY TORQUE SENSOR

✓ Model TR-(0.1~10KNm)

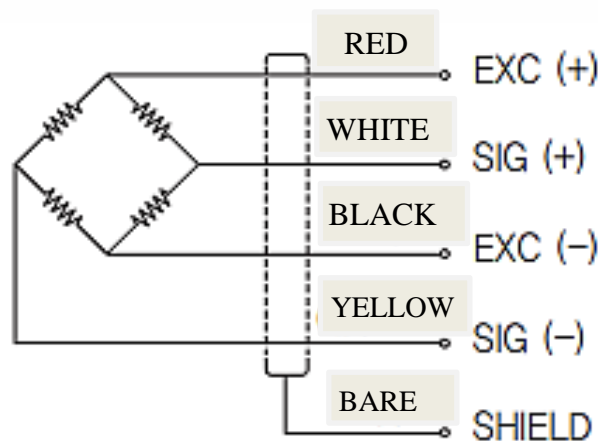


Static torque sensor for measurement of stationary torque object or within a certain angle rotation. Suitable for torque measurement of various automobile parts such as pneumatic and electric screwdriver etc. display and logger section is considered as an optional.

Design Information



Wiring information





Capacity (Nm)	W	L	Df	L1	D _{out}	D _b	n-c
50/100/250	10	80	22	7	80	67	4-Ø 6.3
500/1K/1.5K	20	100	40	7	100	80	8-Ø 11
3K	20	115	50	7	136	114	8-Ø 13.5
Up to 30K	Adjustable by need						

Specification	Value
Rated capacity	Up to 10KNm
Rated output	2 mV/V
Excitation recommended	5 V
Operational Temperature	-10 ~ 60°C
Safe overload	150 % Full scale
Nonlinearity	0.1% Full scale
Hysteresis	0.43%

Ordering Code: TR-20-A-A

