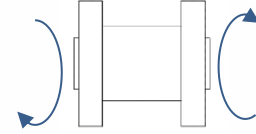


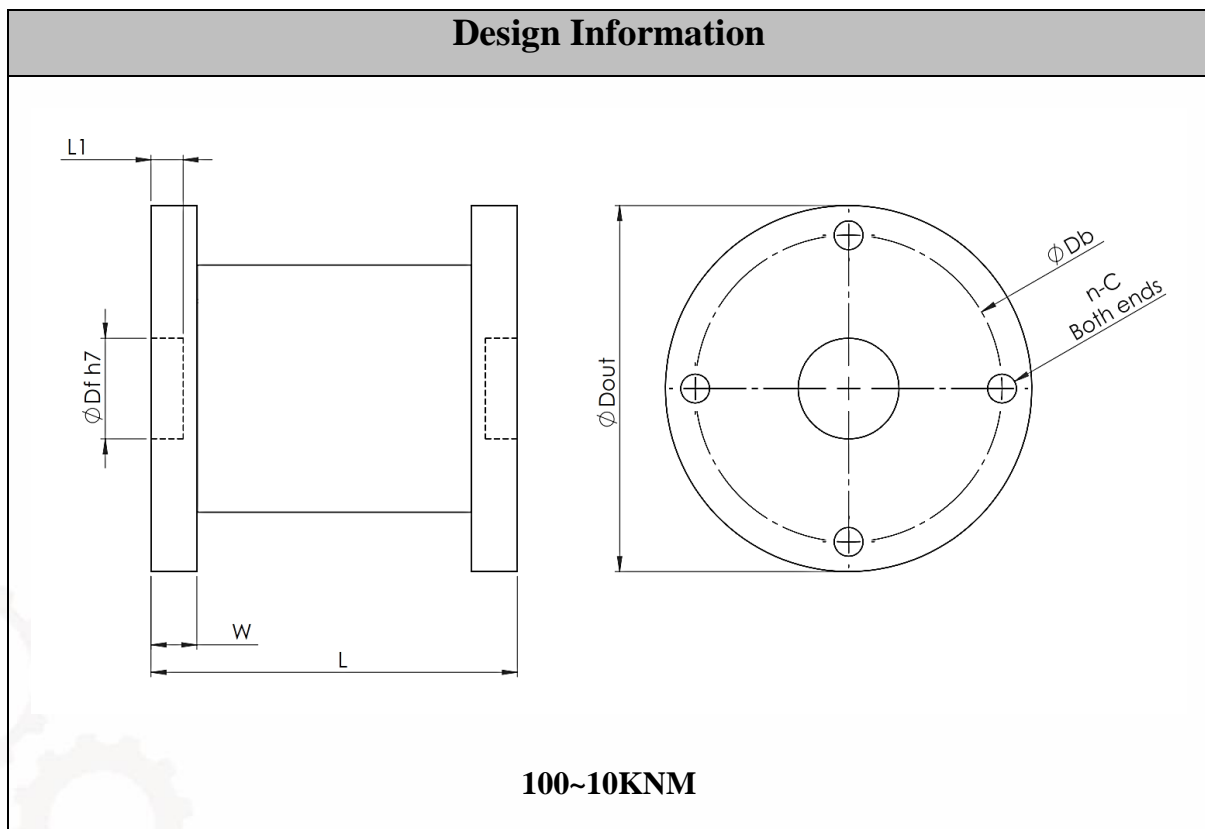


NON-ROTARY TORQUE SENSOR

✓ Model TR-(0.1~10KNm)

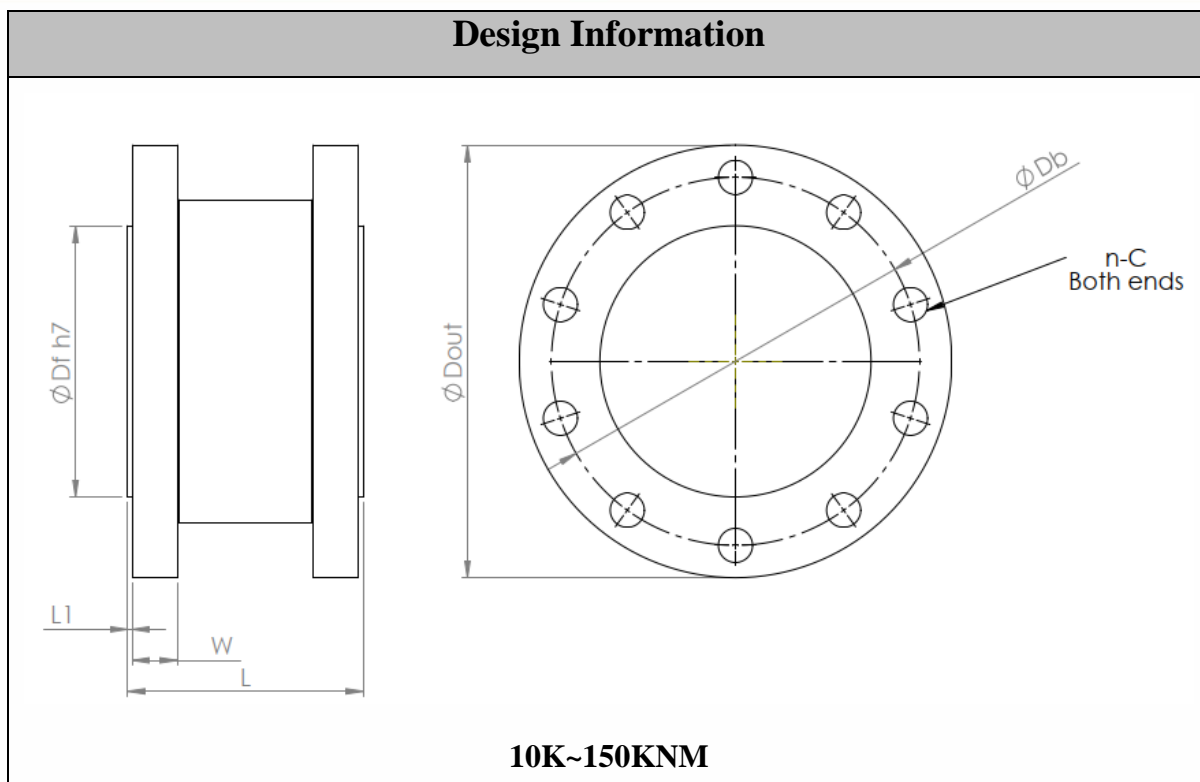


Static torque sensor for measurement of stationary torque object or within a certain angle rotation. Suitable for torque measurement of various automobile parts such as pneumatic and electric screwdriver etc. display and logger section is considered as an optional.

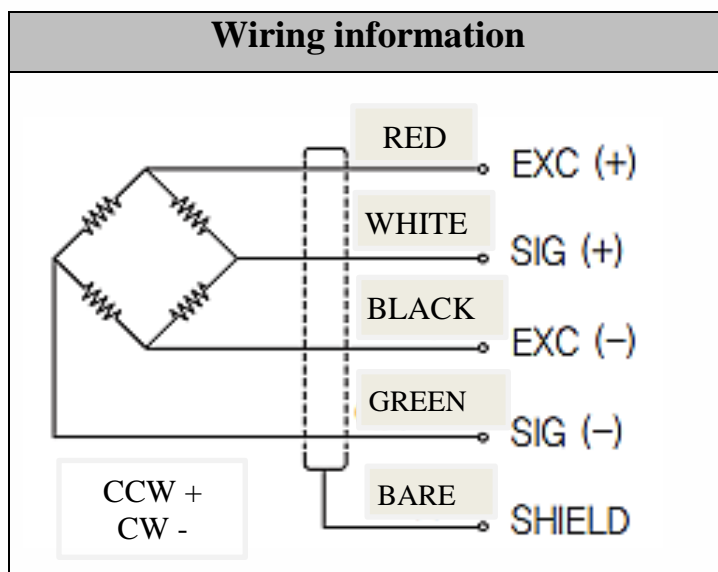




Design Information



Wiring information



Capacity (Nm)	W	L	Df	L1	D _{out}	D _b	n-c
20/50/100	10	80	22	7	80	67	4-Ø 6.3
250/500/1K/1.5K	20	100	40	7	100	80	8-Ø 11
3K	20	115	50	7	136	114	8-Ø 13.5
30K/50K	30	180	180	4	280	230	10-M20
100K/150K	35	183	210	4	335	285	10-M30
Up to 150K	Adjustable by need						



Specification	Value
Rated capacity	Up to 10KNm
Rated output	2 mV/V
Excitation recommended	5 V
Operational Temperature	-10 ~ 60°C
Safe overload	150 % Full scale
Nonlinearity	0.1% Full scale
Hysteresis	0.43%

Ordering Code: TR-20-A-A

